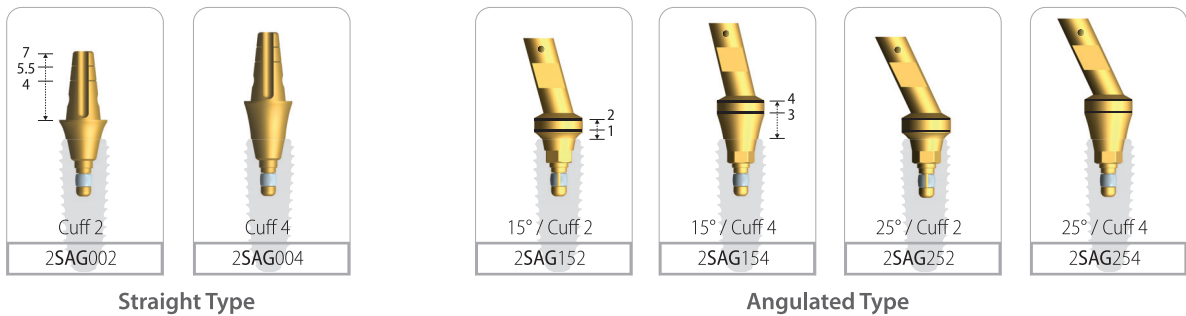


Prosthetic Kit (KPA003)

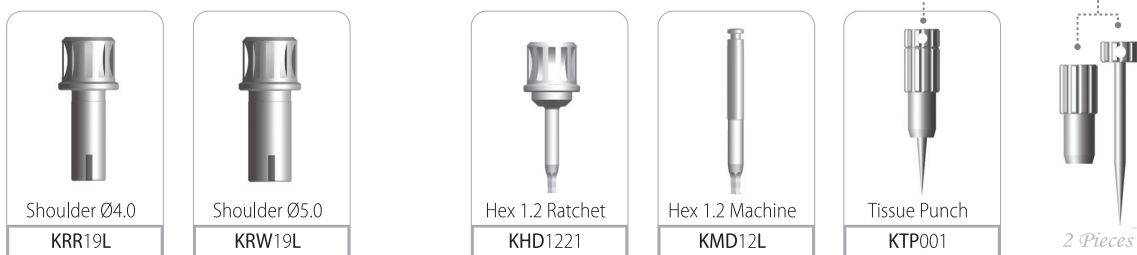
- > Sub. Implant system
- > Try-in Kit for determining abutment specifications



Abutment Gauge > Measuring of the diameter, cuff length and angulation of abutment



Abutment Driver > Used in Shoulder, Solid, Absolute, and Straight abutment placement



Trephine soft tissue over cover screw of fixture